

 Patmark®

 Patmark
a new generation of marking tool



simply mobile

Feel the Digital Punch, our most innovative hand punch marker. Fully portable to support your work in the field.



Patmark-mini

Patmark-mini is truly the "Digital Punch".
It is the most innovated marking tool delivering
you a safe hammer-free experience.

Are you still using
a hammer?



Marking area
15mm (0.6") x 15mm (0.6")



Identification mark on aluminum cast.



Metal Legs Guide. (option)



Marking on hardened material HRC62.



Marks in any orientation.



Marking QR code and Data Matrix using by
PM Win Software.

Patmark®

As an ideal industrial marker, Patmark lets you expand your making area capabilities.

A longer window, 33mm (1.3"), gives you an efficient and cost-effective marking solution.



Deep mark on structural steel.



Mark 2D code on pipe.



Strong Magnetic Guide. (option)



Logo mark on curved surface.



Bright LED guides marking location.

Marking area
33mm (1.3") x 15mm (0.6")



Your working fields matter.

Patmark-plus

In response to customer requests, a larger marking area has been added to the Patmark family. Marking window of 80mm x 20mm (3.1" x 0.8") expands your capabilities.



Marking area
80mm (3.1") x 20mm (0.8")

Portability you want, Capability you need.



Strong magnet guide. (option)



All mark you want in one pass.



Clear mark on a wooden crate.



Plastic case marked with acute pin.

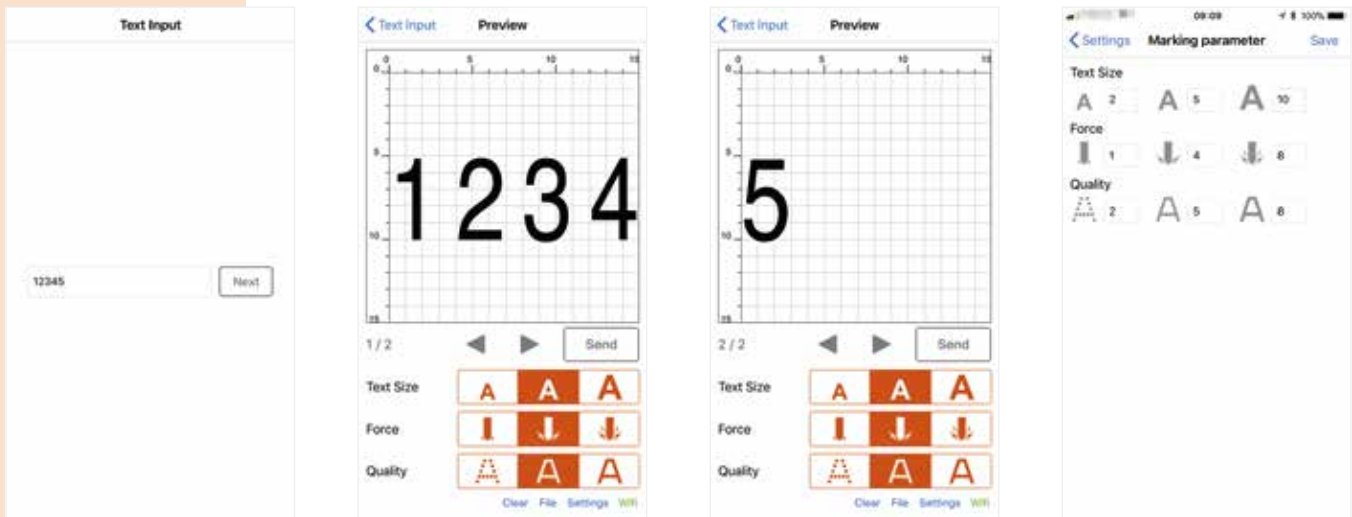


Mark on the concave bottom.

Free App

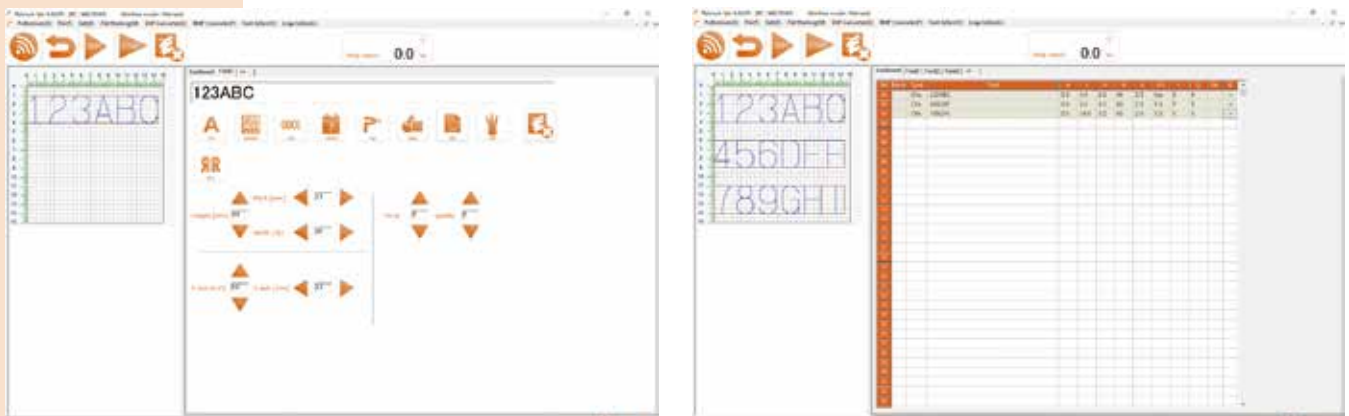


Battery, WiFi and Smartphone...guarantee absolute mobile marking.
Simple starting steps. Just download the Patmark app from the App Store or Play Store. Select the Patmark's SSID on the WiFi using the serial number on the Patmark unit. Open the Patmark app, then mark information.



PM Win Software

Here's a great solution. PM Win Software provides you more features such as multiple line marking, logo marking, QR and DM code, serialized number, and auto calendar. In addition, using PM Win Software expands Patmark's capability with storing up to 255 files which are readable in your handheld device.



Note : Specifications can be changed without prior notice for quality improvement.

Accessories

Varied options expand Patmark's capabilities.



USB connector for PM Win Software.



AC Adapter Jack for direct power.



Hands-Free Fixture. (option)



Circumference mark on the round parts with S-Rotary. (option)

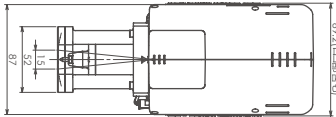


Tool Post and Hanger. (option)

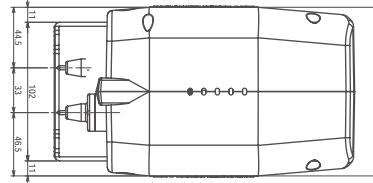
Specifications

External Dimensions (mm) / Battery type

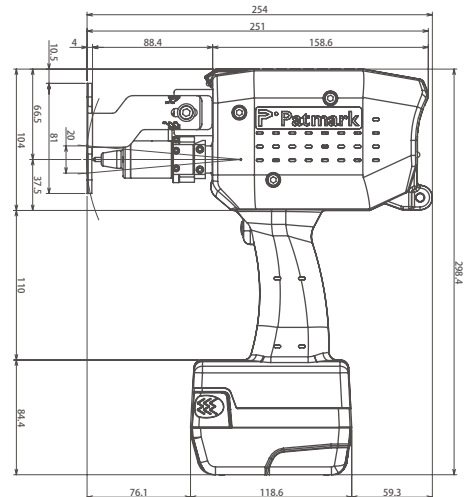
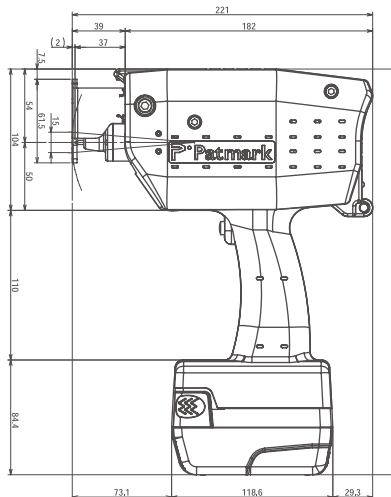
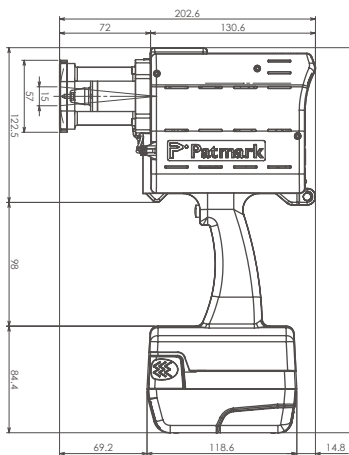
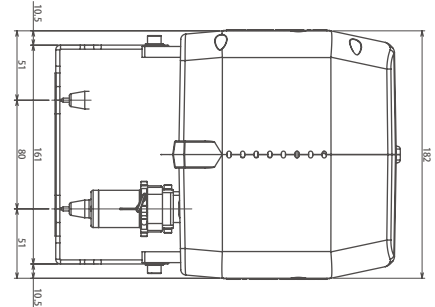
Patmark-mini



Patmark



Patmark-plus



Patmark unit information		Patmark-mini	Patmark	Patmark-plus
Marking area - mm (inch)		15(0.6") x 15(0.6")	33(1.3") x 15(0.6")	80(3.1") x 20(0.8")
Power	AC adapter	Input : AC100V-240V, 50/60Hz		
	Battery	DC25.2V 2.0Ah		
	Battery charge	Input AC100V - 240V 50/60Hz		
Weight	AC adapter	1.4 kg (3lbs)	2.3kg (4.9lbs)	3.0kg (6.6lbs)
	Battery *attached 25.2V	2.0 kg (4.2lbs)	2.9kg (6.4lbs)	3.5kg (7.8lbs)
Vibration measurement		Less than 2.5m/s2		
Software	iOS, Android app	WiFi connectivity		
	PM Win software	USB,WiFi connectivity		
Workparts material		Metal (up to 62RC),Plastic, Paper, Wood products		

Note: Specifications are subject to change without prior notice in order to quality improvement.

App and PM Win Software information		Patmark series
Text height	App	0.5 - 15mm (20mm) *0.5mm pitch
	PM Win Software	0.1 - 15mm (20mm) *0.1mm pitch
Fonts		Alphanumeric, Symbols
2D code	PM Win Software	Data Matrix, QR code (upto 80 bytes)
Logo	PM Win Software	Browse and trace JPEG, BMP on Logo Editor Automatic DXF converter
Multiple lines	App	Single line only
	PM Win Software	Available multiple lines within marking area
Serial number	PM Win Software	1 - 9999
Auto date	PM Win Software	Year, Month, Day, Hour, Minute, Second, Julian date



<https://www.tocho-america.com>

TOCHO MARKING SYSTEMS AMERICA, Inc.
4025 Spencer st., Suite 401, Torrance CA, 90503
Tel (310)-214-3367 Fax (310)214-3372



Patmark



PM_US_I120