

**TELESIS**  
MARK OF CONFIDENCE

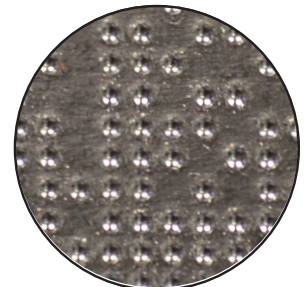


# PINSTAMP®

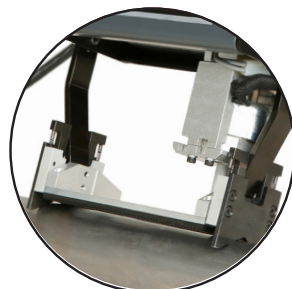
## TMP4750 Dot Peen Marker

The TMP4750 is the latest addition to the PINSTAMP® line of dependable dot peen marking systems. Available in both handheld and fixed mount models, the TMP4750 features a heavy duty stepper motor with rack and pinion drive for superior marking performance.

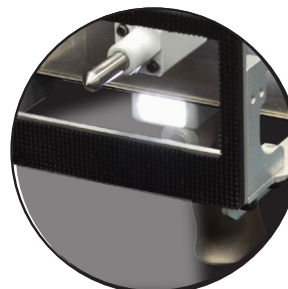
- LED Illumination Lamp - Light up your workspace!
- Double strike feature allows dot to be marked twice when additional depth is an issue
- Shutter Assembly Protects Internal Mechanisms
- Up to 4 Characters/Second
- Large 140 x 40mm Marking Window
- Dual handles for ergonomics and accurate positioning
- Patented Pneumatic Floating Pin Technology  
Adapts to target variations up to 1/4"
- Multiple pin selections  
25S for speed • 150SA for depth



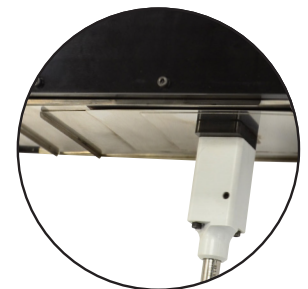
*Patented pneumatic pin delivery applies the most consistent dots in the industry*



*Optional V-Block attachment for precise marking placement*



*Integrated LED lamp for target illumination (handheld only)*



*Protective shutter assembly protects internal mechanisms from debris*

### BODY VIN MARKING



### POWERTRAIN



### OIL & GAS



### FIREARMS



### HEAVY MACHINERY

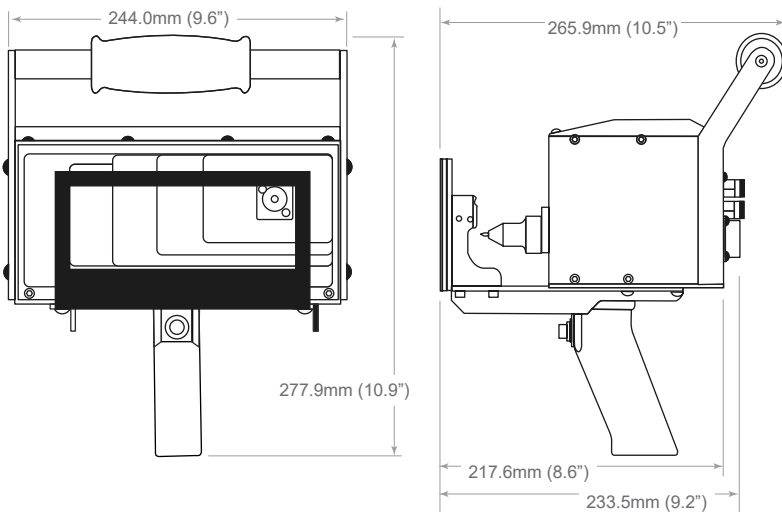




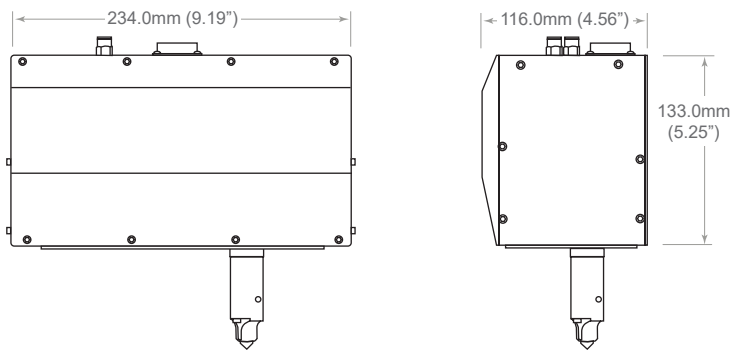
Available with either the TMC470 or TMC600 Controllers

## PRODUCT SPECIFICATIONS

HANDHELD



FIXED MOUNT



SPECIFICATIONS	
WEIGHT	9 lbs. (HH); 7.8 lbs. (fixtured); (4.08kg/3.54kg)
OPERATING TEMPERATURE	32° - 122° F (0° - 50° C)
AIR SUPPLY	60 - 100 psig (4.2 - 8.3 bar)
AIR CONSUMPTION	0.04 SCFM (idle); 0.6 SCFM (marking)
MARKING AREA	140 x 40 mm (5.5" x 1.56")
PIN TYPES AVAILABLE	25S and 150SA

CABLE LENGTHS			
ASSY #	CABLE LENGTH	ASSY #	CABLE LENGTH
87398	2m (6.56')	87403	10m (32.8')
87399	4m (13.1')	87404	12m (39.4')
87400	5m (16.4')	87405	15m (49.2')
87401	6m (19.7')	87406	18.3m (60')
87402	8.m (26.2')		

AVAILABLE ACCESSORIES	
PART #	DESCRIPTION
86989	V-Block Kit (for handheld)
88133	Quick Disconnect Toolpost for Handheld
87921	26" Toolpost for Fixed Mount Version
24374	Start Print/Abort Pushbutton
24373	Start Print Footswitch
44729	RD3 Rotary Drive Kit (fixed mount only)
42198	RD5 Rotary Drive Kit (fixed mount only)
42382	26" Programmable Z-Axis Mounting Post with base (fixed mount only)
43318	36" Programmable Z-Axis Mounting Post with base (fixed mount only)
77917	Ethernet IP Converter
76888	Profinet Converter
82540	Embedded Profinet Card (for 600-based versions)
82539	Embedded Ethernet IP Card (for 600-based versions)



Quick-Disconnect accessibility for easy portability



Also available in a fixed mount version for in-line integration and post-mount fixturing (shown with 87921 toolpost accessory)



25S and 150SA marking pins