

SCRIBE 75x15 U SUPERFAST



INTEGRABLE · SCRIBE MARKING

- Scribe marking unit, **silent and compact**, with **top speed** and **small size**, especially designed for integration in production lines.

ADVANTAGES

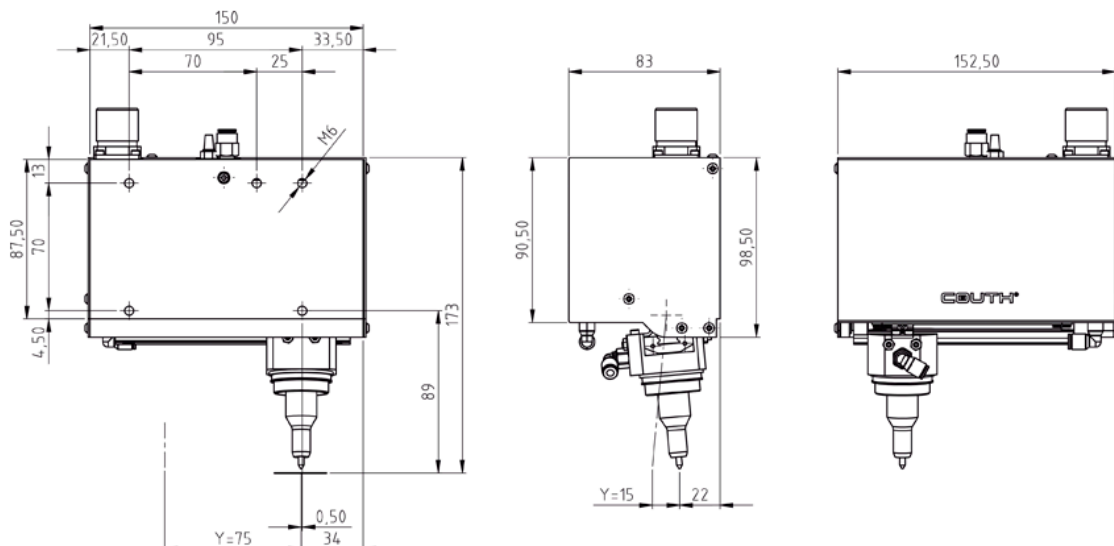
- **Silent.** Noise level 25% lower than European Directive requirements.
- Small size, making it the **smallest and fastest scribe marker unit on the market.**
- **High marking speed**, for all kinds of materials and hardnesses up to 62HRC.
- Top **reliability**, uninterrupted production.
- **Reduced maintenance costs** due to fast and easy access to all its components.
- Highly **robust and long-lasting**, thanks to the high quality of its components.
- Circular connector that **facilitates assembly and disassembly.**
- Bi-colour LED, **visual information** on the machine's status.
- Possibility of purchasing a **protective cover from factory** or as an accessory.

CHARACTERISTICS

- 75 by 15 mm marking area.
- Speed up to 10 characters/second.
- Mark depth up to 0.05 mm.
- Hardness of materials to mark up to 62HRC.
- 2-bar air pressure.
- R14 marking cylinder.
- Protection system that is easy to assemble and disassemble.
- 2.5-metre robotics wire.
 - Other lengths: 5, 10 and 15 metres.
- Marking alphanumeric codes, logotypes, DATAMATRIX™, QR codes, etc.
- Connection with COUTHsmartbox control for integration into production lines (see technical specifications for more information).
- PC edition programme:
 - COUTHvector**, logotype creation.
 - COUTHedit**, marking file creation.
 - COUTHmonitor**, machine status monitoring.
- **COUTHlink**. Library to facilitate connectivity between COUTH smartbox and the production line PLC.

DIMENSIONS

SCRIBE 75X15U



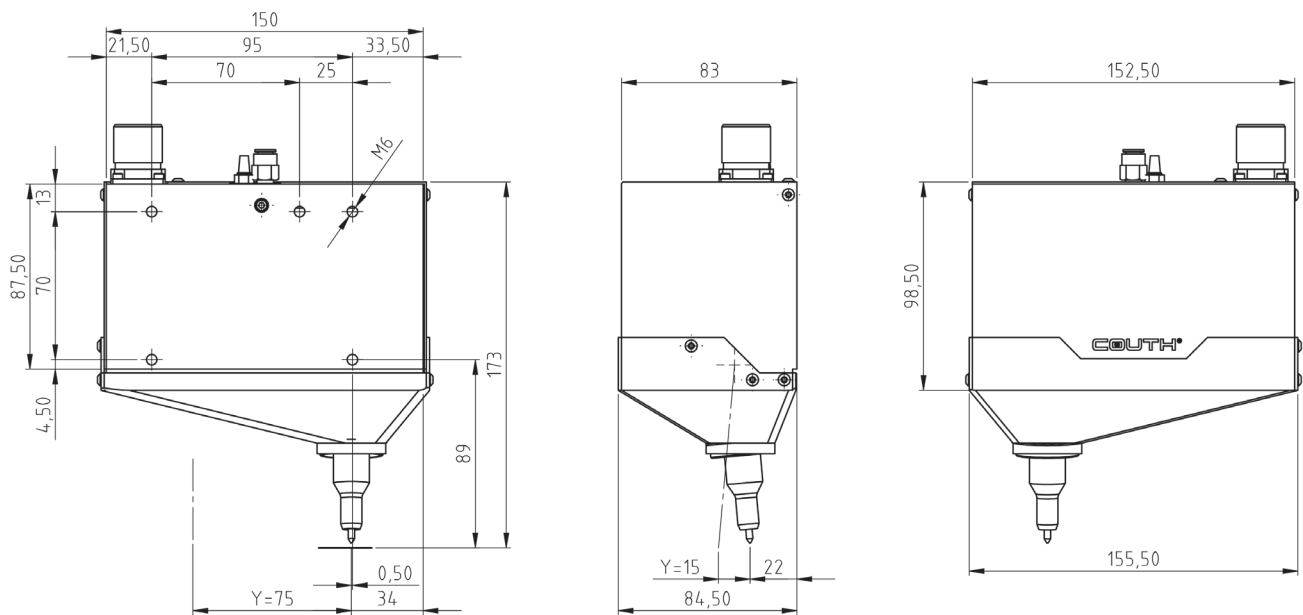
SCRIBE 75x15 U SUPERFAST



INTEGRABLE · SCRIBE MARKING

DIMENSIONS

SCRIBE 75X15U WITH PROTECTION



SCRIBE 75X15U WITH PROTECTION AND PLATE (COD 2775550)

- Dimensions with protection. To replace machines purchased before 30 November 2020.

