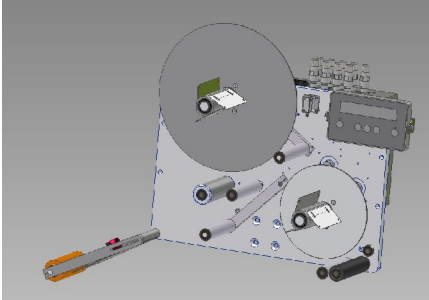
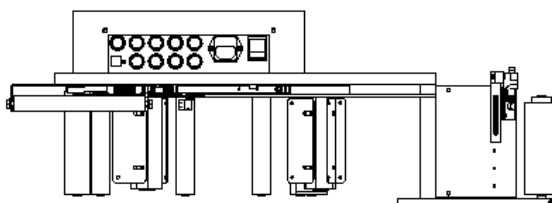
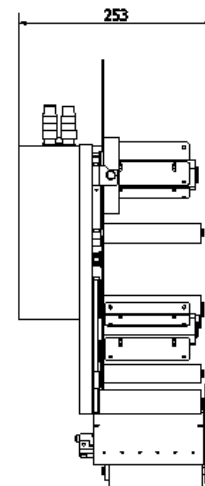
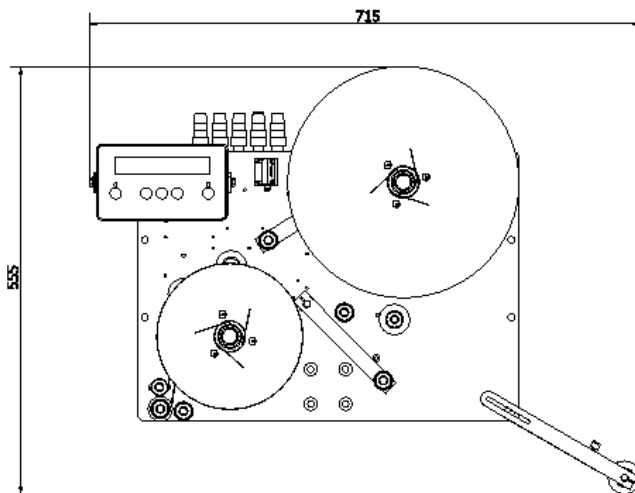


## Alpha Entry



### Technical Specifications:

Label size:	Min. 20 x 20 mm (W x H) Max. 120 x 300 mm (W x H) Minimum label gap 3mm
Label roll:	Maximum running length 450 m Maximum roll diameter 300mm Core = 76 mm (3 ")
Maximum application rate:	Up to 100 rates/min (depending on label size)
Application accuracy:	+/- 2 mm (related to the repeatability at the peeler bar)
Maximum application speed:	30 m/min, depending on label size
Maximum liner width	124mm
Dimension: (H x W x D in mm)	715 x 253 x 555mm
Weight:	13kg depending on version
Power connection:	90 ~ 240 V / 47 ~ 63 Hz
Power consumption:	150 Watt
Ambient temperature:	5 – 35 °C
Environmental conditions:	20 – 90 % relative humidity (non condensing)
Noise emission:	<70dB (A)
Protection class:	IP 40
Cabinet:	Anodized Aluminium, stainless steel



---

**Charateristics:**

- performance peaks up to 100 labels/min
  - fast change of label size due to a simple labeling calibration function
  - two different interface variants for customer-focused applications
  - position accuracy up to +/- 2mm
  - infinitely shaft encoder regulation in the range of 0 – 30m/min
  - optional USB interface enables up- and download of applicator setup
  - automatic detection of missing labels (skip function)
-

## Classification of Alpha Entry

Type	Description of the system
<b>Pre-configured Alpha (basic version)</b>	Wipe On label applicator, 120mm width, right and left version, is the Standard Alpha which is available immediately.
<b>Field Installable Options</b>	Field Installable Options are available ex stock and can be installed by the customer on-site with the help of an installation instruction.

## Pre-configured Alpha Entry

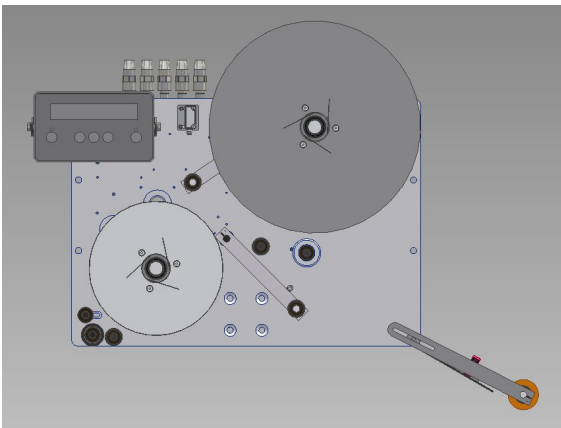


Fig. Alpha Compact LS 120mm RH  
Art. No. 40058959

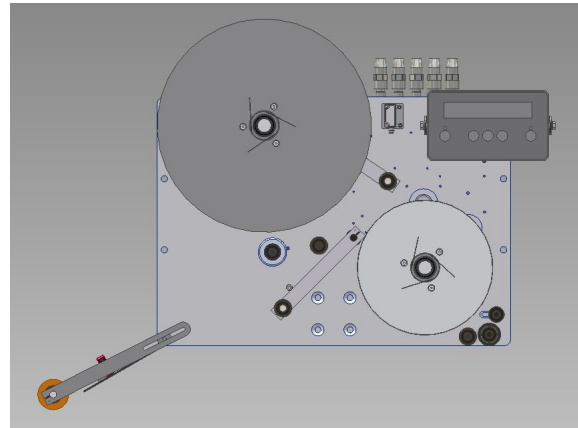


Fig. Alpha Compact LS 120mm LH  
Art. No. 40058960

The pre-configured standard **Alpha Entry LH (40058960)** and **Alpha Entry RH (40058959)** consist of the following components:

### Alpha Entry

#### Label Dispenser

##### – left hand

- Up to 30 m/minute
- Up to 120mm paper width
- Double stepper motor control
- Fix peeler blade, 120mm width
- Leuze GS 61/6-S8 label photosensor with M8-M12 cable
- Roll support blades on unwinder and rewinder for 3" label core
- Connections (M12): HMI, Product Sensor, Label Sensor, I/O Interface
- Documentation in English, French, Spanish, Russian


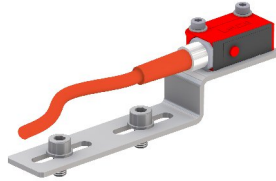

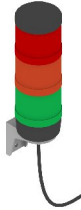




## Field Installable Options

Field Installable Options are simple assembly groups that are available pre-configured ex stock. The options can be easily adapted and installed by the customer with enclosed installation instruction.

Depending on customer's requirement it is also possible to complete the applicator with the Field Installable Options in our headquarter.

Field installable options	Art.-No.	Description	Figure
HMI Panel	35001815	Simple operation of basic functions by panel. Basic functions by push-buttons, speed regulations and offset (label position at peeler bar) by two potentiometers.	
HMI Display	40014836	Simple operation of all functions. Complete functions monitoring and adjustment possible.	
Pressure roller 120mm	40058962	Incl. bracket	
Trigger sensor Reflex light barrier adjustable	32700070	Incl. bracket, mirror and T-rail (PNP)	
Trigger sensor Reflective sensor adjustable	32700071	Incl. bracket and T-rail (PNP)	
Trigger sensor Cable for external start	35001812	5m cable with plug for connection to customer's PLC. Open cable end	
Enable Kit low speed encoder	40007613		
Enable Kit alarm lamp	40007614		

# Technical Information

Enable Kit USB Service Connector	40058964		
Low label prewarning	40061327	For connection to Alpha Compact LS. Axial scanning of the label roll. Signal available by alarm lamp and I/O interface Connector for low label prewarning is included.	  
Alarm lamp 3-colored	22702287	Green, yellow, red light incl. cable. Light diameter 71mm, height 172mm, IP65, LED Connector for alarm lamp is needed	
Connection cable to IO socket	35002078	5m cable length, open cable end, 8-pins	
Connection cable to IO socket	35002080	10m cable length, open cable end, 8-pins	
Clamp terminal for IO interface and product sensor	40089161	Universal I/O clamp terminal for Alpha Compact Rittal Box 200 x 150 x 80 according to wiring diagram -M12, 8 pin. cable, 5m, for I/O Interface X9 -M12, 4 pin. cable, 5m, for product sensor connection X2 -3x bolting M16, 1x M25	
Shaft encoder fixed	22702443	Incl. bracket, friction wheel, connection socket and cable	

# Technical Information

Shaft encoder 22702444 Incl. bracket, friction wheel, connection  
Spring loaded socket and cable



Foot Clamping 32770012 Incl. screws to fix the clamping to the  
faceplate



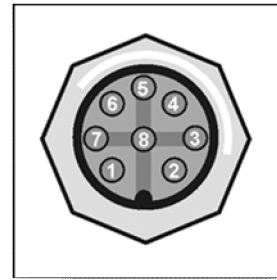
## Technical Details

### I/ O Interface

The I/O interface serves for the connection of Alpha Compact with new system options or the customer's controller

#### Pin assignment:

1. Output signal: **Ready**, (n.o.) max: 200mA, max. 30V
2. Output signal: **Roll end pre-warning**, (n.o.) max. 200mA, max. 30V
3. Output signal: **Sync**, (n.o.) max: 200mA, max. 30V
4. Input signal: **Start** max. 10mA, Low < 3VDC, High > 15VDC
5. Com input signal
6. Com output signal
7. +24V (P24)
8. 0V to earth



\* all outputs which are supplied by (P 24) may consume together max. 500mA.

### Skip-Function

The skip function allows that **one** label may be missing in a row on the label liner. The resulting gap is compensated by the controller, so that the application process is not affected by the gap. If two labels in a row are missing, this will no longer be compensated and the system will change to malfunction.

### Product Sensor

Standard setting of the labeler is PNP. This means product sensor 1, 2 and low label warning sensor are set to PNP. By changing the position of one jumper, the certain sensor can be switched to NPN. Additionally the labeler's controller has to be reconfigured. For this an HMI display or USB is necessary. This can only be done by trained personnel, because for this working on the labeler's electronic is necessary.

## Shaft Encoder

For an optimal labeling result, the application speed of the labels must match with the transport speed of the products. If the products are always transferred with the same speed to the Alpha Compact, a fixed setting of application speed will be sufficient. If the transport speed of the products varies, the application speed will have to be synchronized with the help of a shaft encoder.



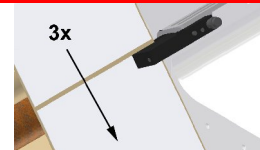
For Alpha Compact shaft encoders with HTL interface (24 DC, push-pull output) or with open collector output (NPN) are suitable.

TTL outputs (5V logic) are not suitable.

A parameterization of the shaft encoder can be either done by the HMI display or by USB. Thus it is essential that the customer provides either a HMI display or a HMI. The function of the speed regulating controller can also be reached with HMI panel, but only if the shaft encoder is parameterized by one of the previously mentioned units.

## Calibration

When changing the label size, a calibration is necessary. By a simple activation of the push-button, automatically 3 labels are fed and all necessary parameters are stored safely and quickly.



## Performance diagram

		Cycle rate/min						
		Label height [mm]						
		25	50	100	150	200	250	300
Speed [m/min]	10	100	100	60	40	30	25	15
	20	100	100	90	70	50	35	25
	30	100	100	100	90	70	45	35



## HMI Panel

- handy and robust HMI (aluminum milled)
- operation by 2 potentiometers and 4 buttons
- the left potentiometer is used for speed adjustment
- the right potentiometer is used for label-stop-position at peeler bar
- with a particular key combination, the functions of the potentiometer can be turned off (key lock)
- dimension: 60x80x20mm (HxWxD)
- weight: 0,25kg
- cable length: 1,5m
- swiveling bracket



## HMI Display

- handy two-lines display (aluminum milled)
- font size 9mm
- background lighting
- multilingual  
language package 1 including  
(English, German, Italian, French, Dutch, Norwegian, Swedish, Turkish)  
language package 2 for selection  
(English, Russian, Czech, Latvian, Polish, Spanish, Portuguese)
- complete access to all adjustment parameter
- up to 9 label sizes can be stored
- error display
- shaft encoder parameterization
- label counter
- start delay
- label position at peeler bar
- dimension: 100x170x20mm (HxWxD)
- weight: 0,6kg
- cable length: 1,5m
- swiveling bracket

