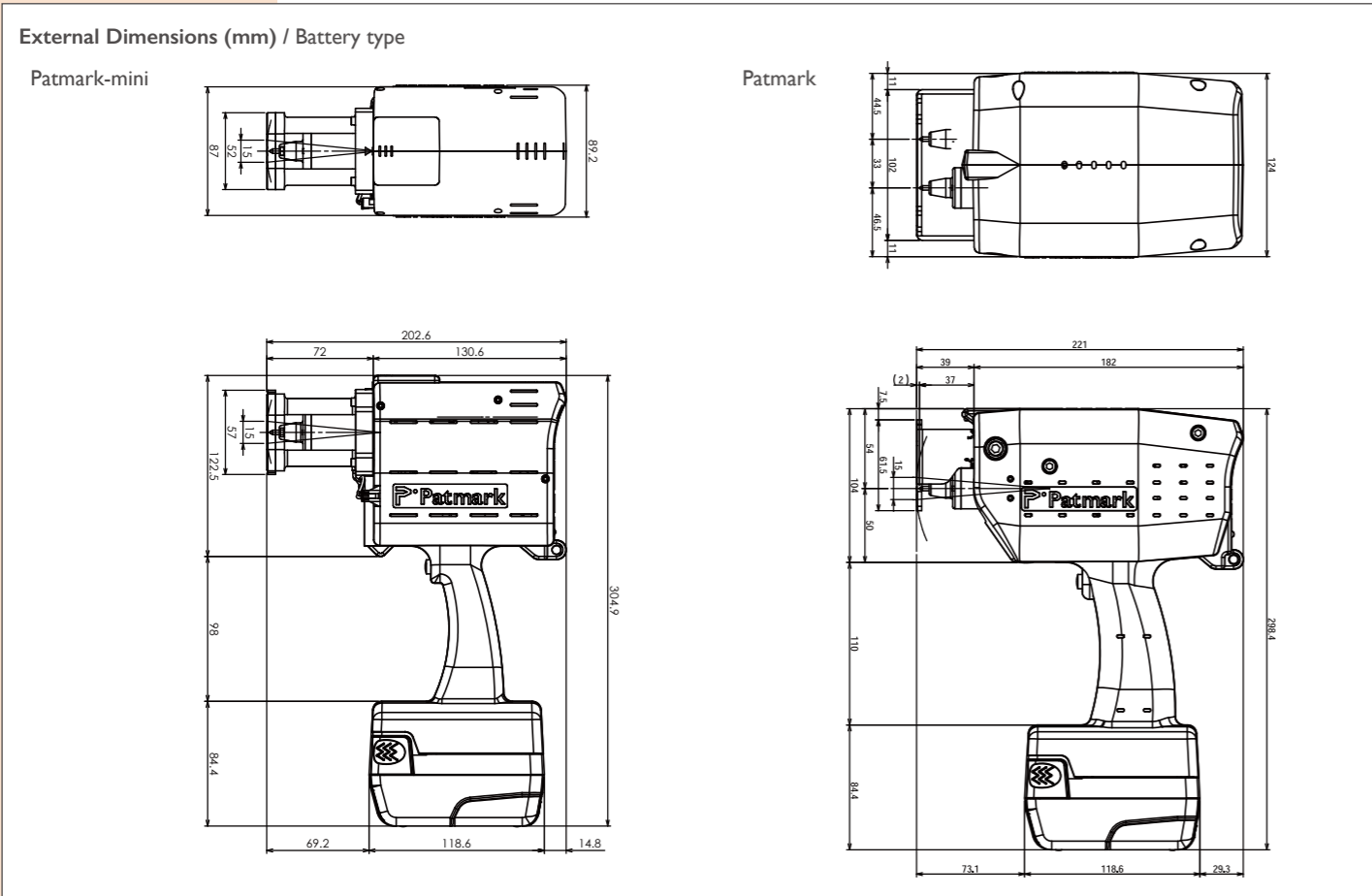




Specifications



Patmark unit information		Patmark-mini	Patmark
Marking area		15mm (0.6") x 15mm (0.6")	33mm (1.3") x 15mm (0.6")
Power	AC adapter	AC100V ~ 240V 50/60Hz	
	Battery	*25.2V 3.0Ah	
	Battery charger	Input 100~240V 50/60Hz	
Weight	With AC adapter	1.4 kg (3lbs)	2.3kg (4.9lbs)
	With Battery *attached 25.2V	2.3kg (4.9lb)	3.2kg (6.9lbs)
Software	iOS, Android app (standard)	Free app - WIFI connectivity	
	PM Win software	Option - WIFI, USB connectivity	
Markable products	Material	Metal (available up to HRC62),	
		Plastic, Paper, Wood products	

App and PM Win Software information		Patmark-mini	Patmark
Text height	app	1 - 15mm *0.5mm pitch	
	PM Win Software	1 - 15mm *0.1mm pitch	
Fonts		Alphanumeric, Symbols	
2D code	PM Win Software only	Data Matrix, QR code (upto 80 letters)	
Logo	PM Win Software only	Browse and trace JPEG, BMP on Logo Editor Automatic DXF converter	
Multiple lines	app	Single line only	
	PM Win Software	Available multiple lines within marking area	
Serial number	PM Win Software only	0001 - 9999	
Auto date	PM Win Software only	Year, Month, Day, Hour, Minute, Second, Julian date	

*Please note that the battery may be changed due to the circumstance of the battery manufacturer.

simple creative and original
Tokyo Chokoku Marking Products Co.Ltd.

www.tokyo-chokoku.co.jp

+81-3-5611-7771 FAX +81-3-3625-6550

3-23-12 Kamezawa Sumidaku Tokyo JAPAN 130-0014

Offices & Factory

Nagoya, JAPAN
Shenzhen, China

Tsuen Wan, Hong Kong
Los Angeles, US



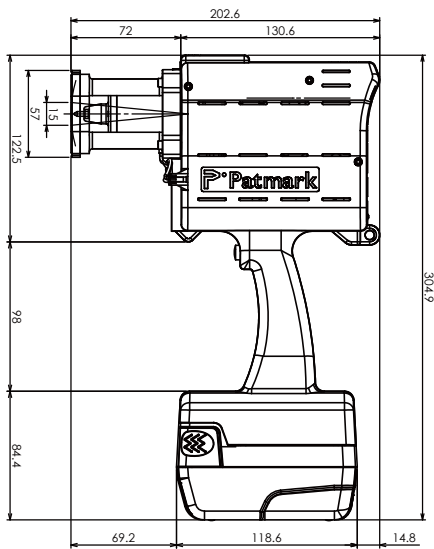
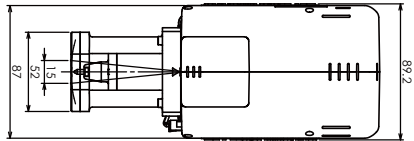
Patmark



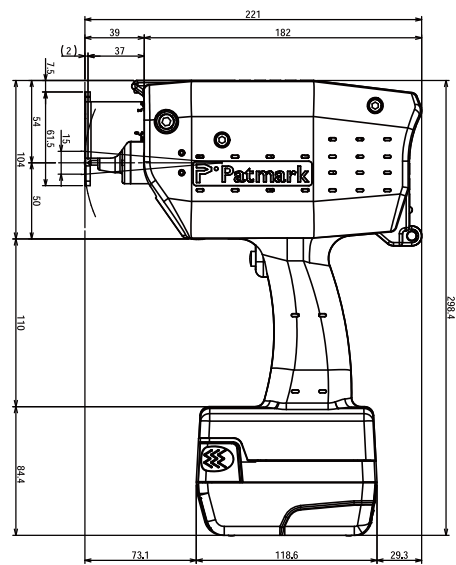
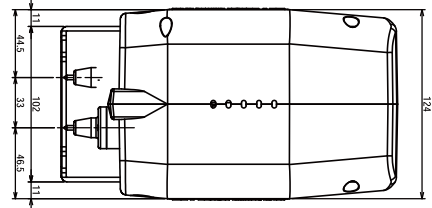
Specifications

External Dimensions (mm) / Battery type

Patmark-mini



Patmark



P*Patmark. unit information		Patmark-mini	Patmark	App and PM Win Software information		Patmark-mini	Patmark
Marking area		15mm (0.6") x 15mm (0.6")	33mm (1.3") x 15mm (0.6")	Text height	app	1 - 15mm *0.5mm pitch	
Power	AC adapter	AC100V ~ 240V 50/60Hz			PM Win Software	1 - 15mm *0.1mm pitch	
	Battery	*25.2V 3.0Ah		Fonts		Alphanumeric, Symbols	
	Battery charger	Input 100~240V 50/60Hz		2D code	PM Win Software only	Data Matrix, QR code (upto 80 letters)	
Weight	With AC adapter	1.4 kg (3lbs)	2.3kg (4.9lbs)	Logo	PM Win Software only	Browse and trace JPEG, BMP on Logo Editor	
	With Battery *attached 25.2V	2.3kg (4.9lb)	3.2kg (6.9lbs)			Automatic DXF converter	
Software	iOS, Android app (standard)	Free app - WIFI connectivity		Multiple lines	app	Single line only	
	PM Win software	Option - WIFI, USB connectivity			PM Win Software	Available multiple lines within marking area	
Markable products	Material	Metal (available up to HRC62),		Serial number	PM Win Software only	0001 - 9999	
		Plastic, Paper, Wood products		Auto date	PM Win Software only	Year, Month, Day, Hour, Minute, Second, Julian date	

*Please note that the battery may be changed due to the circumstance of the battery manufacturer.



simple creative and original

Tokyo Chokoku Marking Products Co.Ltd.

www.tokyo-chokoku.co.jp

+81-3-5611-7771 FAX +81-3-3625-6550

3-23-12 Kamezawa Sumidaku Tokyo JAPAN 130-0014

Offices & Factory

Nagoya, JAPAN
Shenzhen, China

Tsuen Wan, Hong Kong
Los Angeles, US



Patmark





P° Patmark®

P° Patmark
a new generation of marking tool

A square QR code located to the right of the main text, used for digital linking.